

Bredel 40 and Bredel 50 hose pumps

Bredel

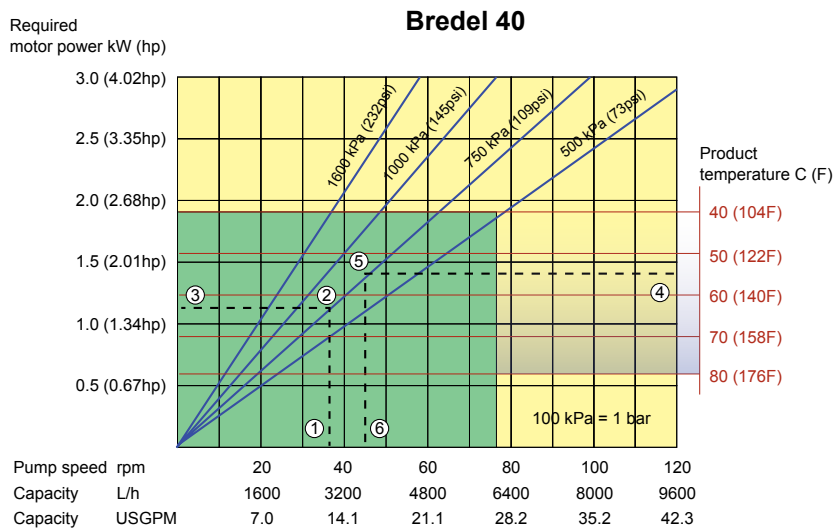
SERIES
Bredel Hose Pumps

FEATURES AND BENEFITS

- Sealless, valveless pumping principle for reliable, low maintenance metering, dosing and transfer
- Flow rates up to 17,500 L/hr (77.1 USGPM) and pressures up to 16bar (232 psi)
- Dry running and self-priming, with up to 9.5 meters (30 foot) suction lift capability
- Robust design for aggressive chemicals or abrasives
- Compact direct coupled design to maximise gearbox life
- Simple hose change decreases cost of ownership, downtime and need for parts inventory



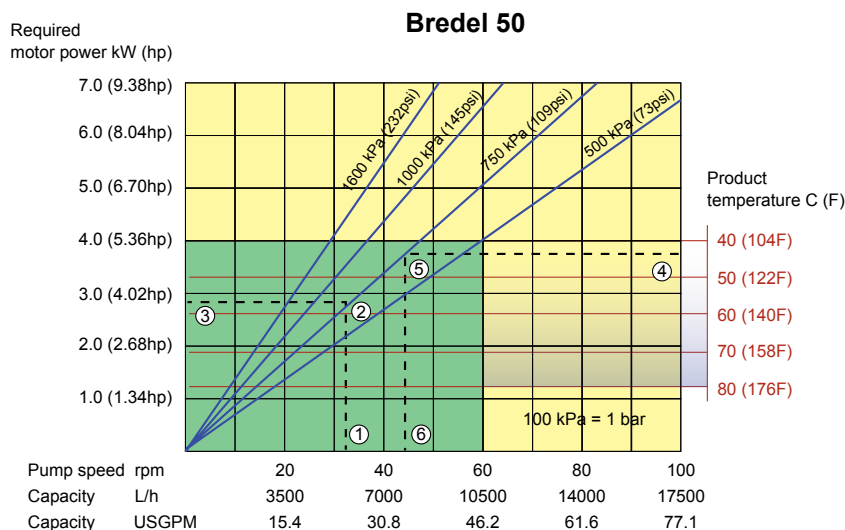
PERFORMANCE



Continuous Duty
Intermittent Duty*

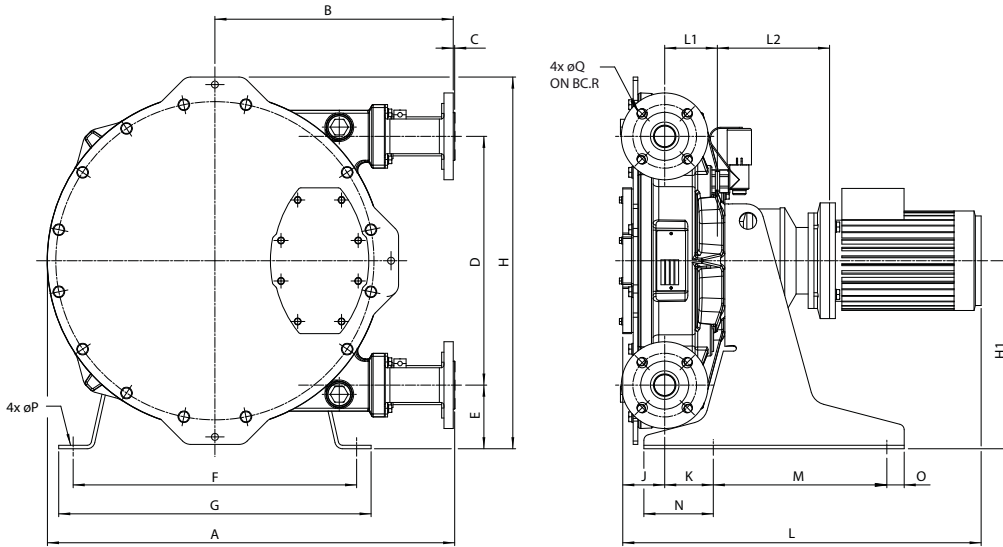
* Maximum 2 hours operation followed by minimum 1 hour stop

1. Flow required indicates pump speed
2. Calculated discharge pressure
3. Net motor power required
4. Product temperature
5. Calculated discharge pressure
6. Maximum recommended pump speed



Note: The area of continuous operation diminishes with increased product temperatures.
For product temperatures >40C (104F), the area of continuous operation is limited by the corresponding red temperature line.

DIMENSIONS



Connector sizes	ANSI 150#	EN DIN	JIS
Bredel 40	1.5"	40mm	40mm
Bredel 50	2"	50mm	50mm

Type	A	B	C	D	E	F	G	H	H1	J	K	Lmax	L1	L2max	M	N	O	ØP	ØQ	R
Bredel 40 (mm)	705	412	2.5	430	110	490	540	643	325	73	84	906	91	301	300	120	30	18	18	110
Bredel 40 (inches)	27.8	16.2	0.09	16.9	4.3	19.3	21.3	25.3	12.8	2.9	3.3	35.7	3.6	11.9	11.8	4.7	1.2	0.71	0.71	4.3
Bredel 50 (mm)	838	475	3	554	143	620	680	811	420	84	95	975	112	339	380	155	40	18	18	125
Bredel 50 (inches)	32.9	18.7	0.12	21.8	5.6	24.4	26.8	31.9	16.5	3.3	3.7	38.4	4.4	13.3	15	6.1	1.6	0.71	0.71	4.9

TECHNICAL SPECIFICATIONS

	Bredel 40	Bredel 50
Flow range	up to 9,600 L/hr (2,536 USGPM)	up to 17,500 L/hr (4,623 USGPM)
Capacity	1.33 L/rev (0.35 G/rev)	2.92 L/rev (0.77 G/rev)
Minimum starting torque	320Nm (2,832 inch-lbs)	620Nm (5,487 inch-lbs)
Hose lubricant required	5 litres (1.32 USG)	10 litres (2.64 USG)
Pumphead weight	121kg (267lbs)	227kg (500lbs)
Common features		
Max inlet pressure	2.5 bar abs (38 psia)	
Suction pressure	0.05bar abs (0.73 psia)	
Maximum discharge pressure	1,600 kPa (16 bar) (232psi)	
Product temperature range*	-10C up to 80C (14F up to 176F)	
Ambient temperature range**	-20C up to 45C (-4F up to 113F)	

*Please consult your Bredel representative for lower or higher temperature operation.

**Allowable ambient temperature is based on pump capabilities and may be further limited by gearbox ambient capabilities

MATERIALS OF CONSTRUCTION

Components	Materials
Pump housing	Cast iron
Rotor	Cast iron
Pressing shoes	Aluminium or epoxy
Cover	Mild steel
Brackets	Galvanized steel or AISI 316
Flanges	Galvanized steel or AISI 316
Inserts	AISI 316, PVC, PP, PVDF
Support frame	Galvanized steel or AISI 316
Hose clamps	Galvanized steel or AISI 316
Shaft	Alloy steel
Seals	Neoprene or nitrile

Options	Features
Available hose materials	NR, NR Endurance, NBR, F-NBR, EPDM, CSM
Available flanges	ANSI, EN DIN, JIS
Available inserts	Bredel standard or with sanitary connectors
High level float switch	Max. 2A, 230 V AC/DC, max. 40VA
Low level float switch	ATEX: max. 50 mA, max. 28V AC/DC
Integrated FI for stand alone speed control	Factory programmable from 12-80 Hz
Revolution counter	For maintenance intervals and /or metering
Vacuum assist	For difficult suction conditions and high viscosity fluids
Cover lifting device	For one-man pump maintenance

The information contained in this document is believed to be correct at the time of publication, but Watson-Marlow Bredel BV accepts no liability for any error it contains, and reserves the right to alter specifications without prior notice. All mentioned values in this document are values under controlled circumstances at our test bed. Actual flow rates achieved may vary because of changes in temperature, viscosity, inlet and discharge pressures and/or system configuration. APEX, DuCoNite®, Bioprene® and Bredel are registered trademarks.

Bredel
Hose Pumps

wmpg.com
+44 (0)1326 370 370
info@wmpg.com